

It's more than just  
the chainwheel.

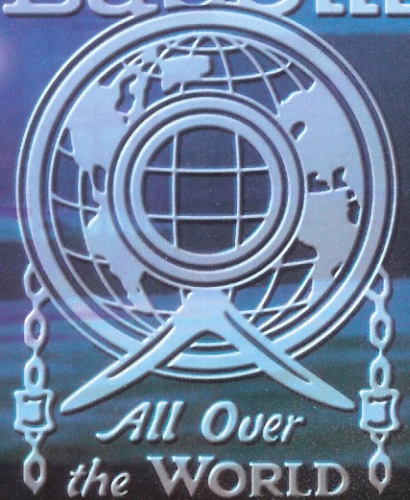
It's the company that  
stands behind it.

# Babbitt®

---

## STEAM SPECIALTY CO.

Babbitt®



All Over  
the WORLD



## STANDARD CHAINWHEEL

**Babbitt Adjustable Chainwheels** with Chain Guides operate valves in high, normally out-of-reach locations easily and economically. Chainwheels easily attach to the hand wheel of any size valve, ranging from 2 to 36 inches in diameter, allowing valves to be opened and closed from the floor.

Standard Chainwheels are furnished complete with Zinc Plated Carbon Steel Attachment Sets for clamping to the valve hand wheel.



### Typical Uses:

Standard Chainwheels are recommended for a wide range of valve control applications in mildly corrosive environments including operation of hard-to-reach valves in boiler rooms, production and industrial locations.



## **SAFETY WHEELS PROVIDE ADDED PROTECTION**

- **A Complete Unit with Stainless Steel Clamps and Stainless Steel Wire.**
- **Shock-Resistant Ductile Iron Cap Withstands Impact.**
- **Chainwheel Sizes 0 through 5.**
- **Field-Proven in Petrochemical and Industrial Applications.**



**Babbitt Safety Wheels** dramatically reduce the potential hazard of a falling valve hand wheel to which a Babbitt Safety Wheel is attached. The Safety Wheel provides the added security of a secondary attachment process in case the primary attachment method fails. With a Babbitt Safety Wheel, the Safety Wheel and valve hand wheel are suspended at a safe overhead distance until replacement or reattachment. The Safety Wheel has a ductile iron cap with four (4) Stainless Steel Clamps and 5 feet of 7 X 19 Stainless Steel Wire.

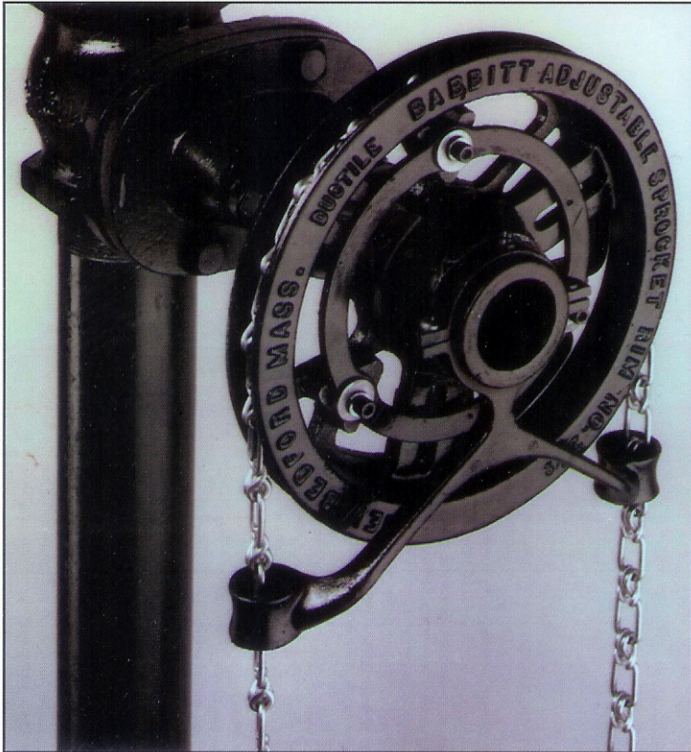
Safety Cap Kits\* are available for retrofit applications.

*\*Safety Cable Kits are available when the Safety Cap is not the preferred secondary attachment process.*



800 Mt. Pleasant Street • P.O. Box 51208 • New Bedford, MA 02745 • Phone: 1-508-995-9534  
 www.babbittsteam.com • Toll Free: 1-800-727-4323 • Fax: 1-508-995-2701 • E-Mail: sprocket@babbittsteam.com

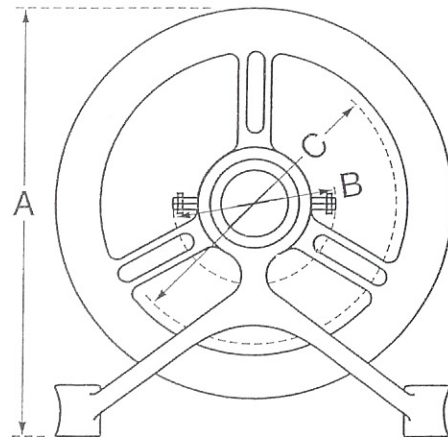
## HAMMER-BLOW FOR EFFICIENT VALVE CONTROL



The Babbitt Hammer-Blow, made from shock resistant ductile iron, makes it easy to control high-pressure valves from the floor in out-of-reach locations. The Hammer-Blow will fit hand wheel sizes from 6 to 36 inches in diameter.

The Hammer-Blow is a complete unit including the sprocket rim, chain guide and hammer-blow mechanism. Unit can be specified in safety wheel as well as solid hub configuration.

**Dimensions:** When ordering, provide diameter of the valve hand wheel to be fitted and length of chain required.



### HAMMER-BLOW CHAINWHEEL SPECIFICATIONS

SIZE	DIAMETER OF VALVE WHEEL ASSEMBLY WILL FIT IN (CM)		OVERALL HEIGHT	TOP OPERATING DIAMETER	SLOT SIZE WIDTH	WEIGHT COMBINED ASSEMBLY	
			A	B	C	LBS (KG)	
2*	6 to 7-1/2	(15.24-19.05)	8-5/8"	2-3/8"	3/8"	14	(6.35)
2	7-3/4 to 9	(19.69-22.86)	8-5/8"	2-3/8"	3/8"	14	(6.35)
2-1/2	9-1/4 to 12-1/2	(24.13-30.38)	10-3/8"	2-7/8"	7/16"	21	(9.53)
3	12-3/4 to 15-1/2	(32.39-39.37)	14-1/4"	2-3/4"	7/16"	31	(14.06)
3-1/2	15-3/4 to 19	(40.01-48.26)	19-3/4"	4-1/4"	7/16"	43	(19.50)
4	19-1/4 to 22	(48.90-55.88)	20"	4-1/4"	3/4"	58	(26.31)
4-1/2	22-1/2 to 26	(56.51-66.04)	23-3/8"	4-1/4"	3/4"	70	(31.75)
5	26-1/4 to 30	(66.68-76.20)	28-1/2"	4-1/4"	3/4"	118	(53.53)
5**	30-1/4 to 36	(76.84-91.44)	28-1/2"	4-1/4"	3/4"	118	(53.53)

\* #2 available with special attachment plate to accommodate 6" to 7-1/2" handwheel diameters.

\*\* Special attachment clamp for #5 wheel will accommodate up to 36" diameter valve handwheel.



800 Mt. Pleasant Street • P.O. Box 51208 • New Bedford, MA 02745 • Phone: 1-508-995-9534  
 www.babbittsteam.com • Toll Free: 1-800-727-4323 • Fax: 1-508-995-2701 • E-Mail: sprocket@babbittsteam.com

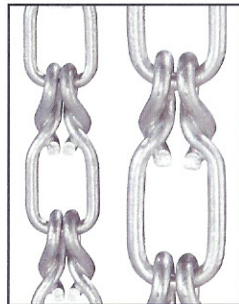
## MASTERLINK\*



Master the ease of Chainwheel installation by eliminating the task of connecting the ends of the weldless, single loop, lock link chain. Using the Babbitt Masterlink\* will return the chain to its original load bearing capacity.

\*U.S. Patent #6010412

MASTERLINK (Material: Zinc-Plated Carbon Steel)			
Masterlink Part No.	Chain Part No.		Chainwheel Size
ML-1	GC-1	(1/0)	1 - 1-1/2 - 2
ML-2.5	GC-2.5	(4/0)	2-1/2 - 3 - 3-1/2
ML-4	GC-4	(5/0)	4 - 4-1/2 - 5



*Galvanized Single Loop Lock Link Chain is standard for all chainwheels*

## WELDLESS CHAIN

**Weldless Single Loop Lock Link Chain**

**Standard Material:**

Hot Dipped Galvanized.

Other chain materials include Non-Sparking Brass and Type 316 Stainless Steel.



*Non-Sparking Brass Chain*

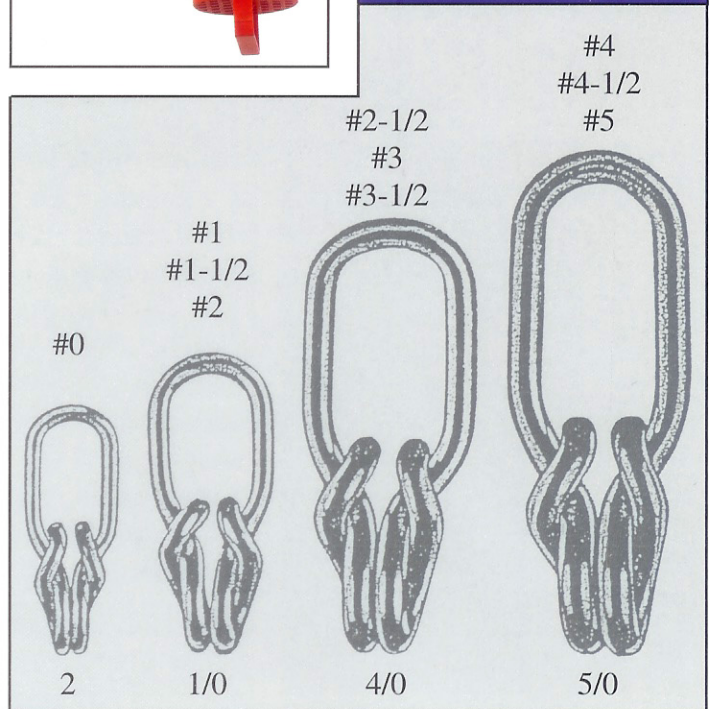
## CHAIN AWAY



The Chain Away is a re-usable device that holds chainwheel chain overhead, within easy reach, clearing walkways below.

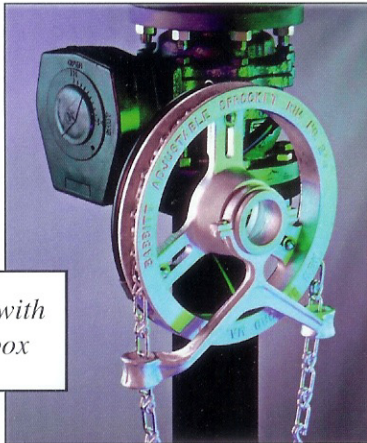
Chain is easily released in one simple motion. Chain can be replaced in Chain Away after use.

**TRADE SIZE OF CHAIN**  
**Actual Size Reference Section**





## ALUMINUM CHAINWHEELS

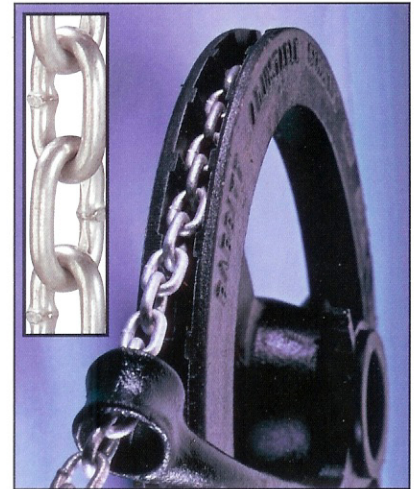


*Shown with gear box*

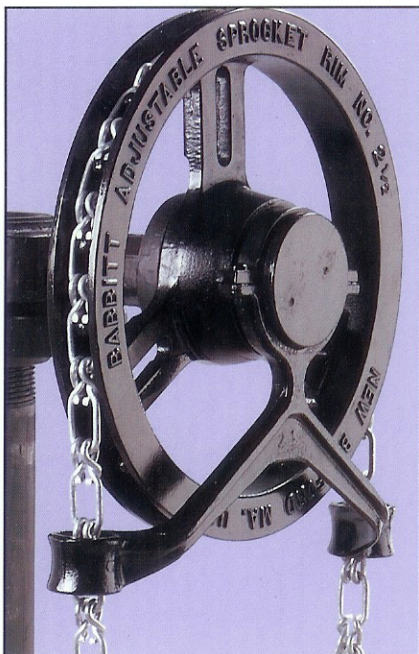
High grade aluminum chainwheels are designed for applications where corrosion resistance, strength and light weight are important. Units come complete with 304 stainless steel attachment sets.

## POCKETWHEELS

Pocketwheel style chainwheels are designed to accommodate applications where straight link welded chain is required. The Pocketwheel chain channel is designed to accept every other link of straight link chain, making instant valve opening or closing safe and easy by means of a slight pull on the welded chain.



## SOLID HUB CHAINWHEELS Mounts Directly to Valve Stem.



**Babbitt Solid Hub Chainwheels** eliminate the need for valve handwheels by mounting directly to the valve or gear operator stem. Like all Babbitt Chainwheels, the Solid Hub Chainwheel controls overhead valves economically and permits direct-to-shaft operation. Solid Hub Chainwheels can be bored to user specifications or shipped solid for customer boring. Solid Hub Chainwheels are manufactured for all Babbitt Wheel sizes. Available in cast iron, ductile iron and aluminum.

Solid Hub Chainwheels with guides are shipped less any mounting hardware.

Size No.	Diameter of Sprocket Wheel Inches	Weight Lbs.	Replaces Handwheel Diameters Inches	Maximum Boring Diameter Inches
0	4	3	2 to 4	1/2
1	5-3/4	5	4-1/4 to 5-3/4	7/8
1-1/2	7-1/2	6	6 to 7-1/2	1
2	9	12	7-3/4 to 9	2-1/8
2-1/2	12-1/2	17	9-1/4 to 12-1/2	2-1/8
3	15-1/2	20	12-3/4 to 15-1/2	2-1/8
3-1/2	19	33	15-3/4 to 19	3
4	22	40	19-1/4 to 22	3
4-1/2	26	52	22-1/4 to 26	3
5	30	63	26-1/4 to 30	3



800 Mt. Pleasant Street • P.O. Box 51208 • New Bedford, MA 02745 • Phone: 1-508-995-9534  
 www.babbittsteam.com • Toll Free: 1-800-727-4323 • Fax: 1-508-995-2701 • E-Mail: sprocket@babbittsteam.com

## BABBITT CORROSION RESISTANT CHAINWHEELS PROVIDE EXTENDED LIFE IN HARSH ENVIRONMENTS.

Because valves and valve actuation equipment are often exposed to corrosive elements in the petroleum industry, Babbitt has developed a full range of corrosion resistant chainwheels. The proper combination of chainwheels and corrosion resistant chain provides extended service life – even under severe operating conditions where high temperature, abrasion, extreme humidity or corrosive chemicals are present.

NOTE: Teflon®\* coating available.

\*Copyright© 1995-2007 DuPont. All Rights Reserved. The DuPont Oval Logo, DuPont™, The miracles of science™ and all products denoted with™ and ® are trademarks or registered trademarks of DuPont or its affiliates.



All integral parts hot-dipped Galvanized to ASTM 123

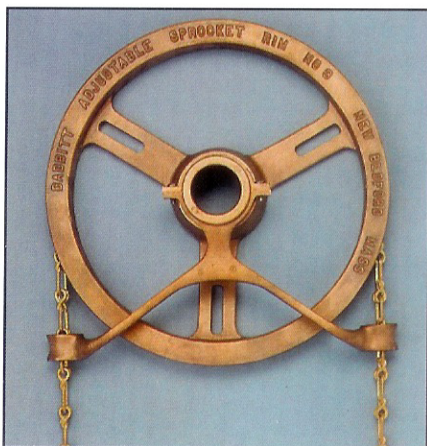
## GALVANIZED CHAINWHEELS

**Typical Uses:** Galvanized chainwheels are generally specified for corrosion resistance in high moisture environments including valve control in offshore, marine and high salt areas. They are recommended for indoor and outdoor applications where high humidity, salt and water are the main corrosive agents.

## BRONZE CHAINWHEELS

### Typical Uses:

ASTM B62 Marine Bronze Chainwheels resist corrosion under severe operating conditions where high humidity, salt and water are the main corrosive agents. This product is used where equipment is often exposed to extreme corrosive elements.



(Unit comes with 304 Stainless Steel Attachment Set)

## EPOXY-COATED CHAINWHEELS

### Typical Uses:

Epoxy-coated chainwheels are recommended for extremely corrosive environments where high degrees of abrasion may be encountered, but high temperatures are not a major consideration. Designed for uses that require a heavy film thickness, epoxy-coated chainwheels are inert to most substances.

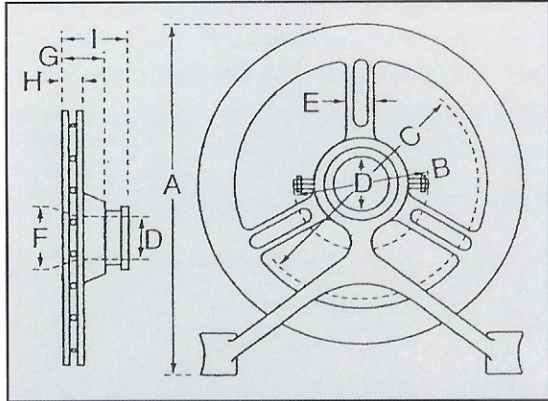
(Unit comes with 304 Stainless Steel Attachment Set)



All integral parts are Epoxy coated



# TECHNICAL DATA



## SELECTION OF CHAIN OPERATORS

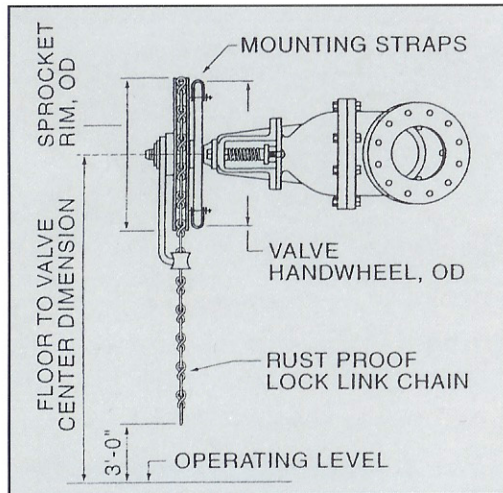
Valve Handwheel Outside Diameter Range, Outside In (Cm)	Chain Operator Number	Wheel Rim Outside Diameter In (Cm)	Uses Chain Trade Size	Weight (Lbs.)
2 to 4 (5.08-10.16)	0	4 (10.16)	2	2
4-1/4 to 5-3/4 (10.80-14.61)	1	5-3/4 (14.61)	1/0	4
6 to 7-1/2 (15.24-19.05)	1-1/2	7-1/2 (19.05)	1/0	5
7-3/4 to 9 (19.69-22.86)	2	9 (22.86)	1/0	10
9-1/4 to 12-1/2 (23.50-31.75)	2-1/2	12 (30.48)	4/0	15
12-3/4 to 15-1/2 (32.39-39.37)	3	15-1/2 (39.37)	4/0	18
15-3/4 to 19 (40.01-48.26)	3-1/2	18-1/2 (46.99)	4/0	28
19-1/4 to 22 (48.90-55.88)	4	21-1/2 (54.61)	5/0	37
22-1/2 to 26 (57.15-66.04)	4-1/2	25-3/4 (65.41)	5/0	47
26-1/4 to 30 (66.68-76.20)	5	30 (76.20)	5/0	58
30-1/4 to 36 (76.20-91.44)	5*	30 (76.20)	5/0	58

\* Special attachment clamps for #5 wheel will accommodate up to 36" diameter valve handwheel.

## CHAINWHEEL DIMENSIONS

WHEEL SIZE #	0	1	1-1/2	2	2-1/2	3	3-1/2	4	4-1/2	5
A-Overall Ht. In (Cm)*	4-5/8 (11.75)	6-3/8 (16.19)	7-3/4 (19.69)	10-1/2 (26.67)	12-1/2 (31.75)	15-1/2 (39.37)	18-1/2 (46.99)	21-1/2 (54.61)	25-3/4 (65.41)	30-1/4 (76.84)
B-Inner Bolt Circle	1-1/2 (3.81)	2-1/2 (6.35)	3-1/2 (8.89)	4-1/2 (11.43)	5-1/2 (13.97)	8-1/2 (21.59)	11-1/2 (29.21)	11-1/2 (29.21)	14-1/2 (36.83)	18-3/4 (47.63)
C-Outer Bolt Circle	1-7/8 (4.76)	3-1/2 (8.89)	5 (12.70)	6-5/8 (16.83)	9-1/4 (23.50)	12-3/8 (31.43)	15-1/2 (39.37)	17-3/4 (45.09)	21-1/4 (53.98)	25-1/4 (65.14)
D-Hub Opening (Dia)	1/2 (1.27)	7/8 (2.22)	1 (2.54)	2-1/8 (5.40)	2-1/8 (5.40)	2-1/8 (5.40)	3 (7.62)	3 (7.62)	3 (7.62)	3 (7.62)
E-Slot Size (Width)	1-5/16 (3.33)	3/8 (.95)	3/8 (.95)	3/8 (.95)	7/16 (1.11)	7/16 (1.11)	7/16 (1.11)	5/8 (1.59)	5/8 (1.59)	5/8 (1.59)
F-Rear Opening	3/4 (1.91)	1-1/2 (3.81)	1-7/8 (4.76)	3-1/8 (7.94)	3-1/2 (8.89)	3-1/2 (8.89)	4-7/8 (12.38)	4-7/8 (12.38)	4-5/8 (11.75)	4-3/4 (12.07)
G-Hub Depth (Shoulder to Rear)	1-1/8 (2.86)	1-1/2 (3.81)	1-7/16 (3.65)	1-3/8 (3.49)	1-3/4 (4.45)	1-7/8 (4.76)	1-7/8 (4.76)	1-7/8 (4.76)	1-7/8 (4.76)	2 (5.08)
H-Rim Thickness	7/8 (2.22)	1-1/8 (2.86)	1-1/8 (2.86)	1-1/8 (2.86)	1-1/4 (3.18)	1-1/4 (3.18)	1-1/4 (3.18)	1-1/2 (3.81)	1-1/2 (3.81)	1-1/2 (3.81)
I-Overall Depth	1-3/4 (4.45)	2-1/4 (5.72)	2-3/8 (6.03)	2-3/8 (6.03)	2-5/8 (6.67)	2-5/8 (6.67)	3-1/8 (7.94)	3-1/8 (7.94)	3-1/8 (7.94)	3-1/8 (7.94)

\* All dimensions are in "Inches (CM)"



## LENGTH OF CHAIN REQUIRED\*

Chainwheel Size	Length in Feet*
#0	[(DROP FROM VALVE STEM MINUS 3 FT) X2] PLUS 1 ft
#1	[(DROP FROM VALVE STEM MINUS 3 FT) X2] PLUS 1 ft
#1-1/2	[(DROP FROM VALVE STEM MINUS 3 FT) X2] PLUS 2 FT
#2	[(DROP FROM VALVE STEM MINUS 3 FT) X2] PLUS 2 FT
#2-1/2	[(DROP FROM VALVE STEM MINUS 3 FT) X2] PLUS 2 FT
#3	[(DROP FROM VALVE STEM MINUS 3 FT) X2] PLUS 2 FT
#3-1/2	[(DROP FROM VALVE STEM MINUS 3 FT) X2] PLUS 3 FT
#4	[(DROP FROM VALVE STEM MINUS 3 FT) X2] PLUS 4 FT
#4-1/2	[(DROP FROM VALVE STEM MINUS 3 FT) X2] PLUS 4 FT
#5	[(DROP FROM VALVE STEM MINUS 3 FT) X2] PLUS 4 FT

\* Chain 3 FT from floor

## Typical Specifications:

Approved chainwheel operators shall be as manufactured by Babbitt Steam Specialty Co. and shall include chainwheel and chain guide for \_\_\_ inch diameter valve handwheel. Chainwheel shall be made of (cast iron/ductile iron/aluminum/bronze). Rim shall contain as an integral part of the casting a groove into which the chain guide attaches. Chain guides shall be made of (malleable iron/aluminum/bronze). Chainwheels shall be adjustable and detachable, furnished complete with (steel/stainless steel) attachment sets for attachment of chainwheel to valve handwheels. Units shall be coated with (black enamel, galvanized, "Teflon®", epoxy or \_\_\_\_\_) to meet manufacturer's specifications.

Operators shall also be furnished with \_\_\_\_\_ feet of rust-proof, lock-link, (hot dipped galvanized/spark-resistant brass/stainless steel) chain. Ductile iron units (shall be/shall not be) Babbitt "Hammer-blow" configuration. Chainwheel operators (shall be/shall not be) Safety Wheel configuration.

\* Copyright© 1995-2007 DuPont. All Rights Reserved. The DuPont Oval Logo, DuPont™, The miracles of science™ and all products denoted with™ and © are trademarks or registered trademarks of DuPont or its affiliates.