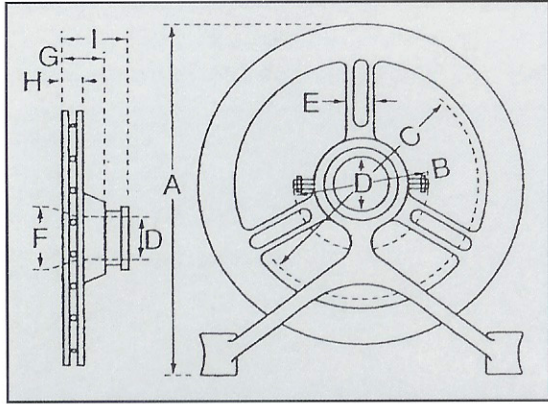


TECHNICAL DATA



SELECTION OF CHAIN OPERATORS

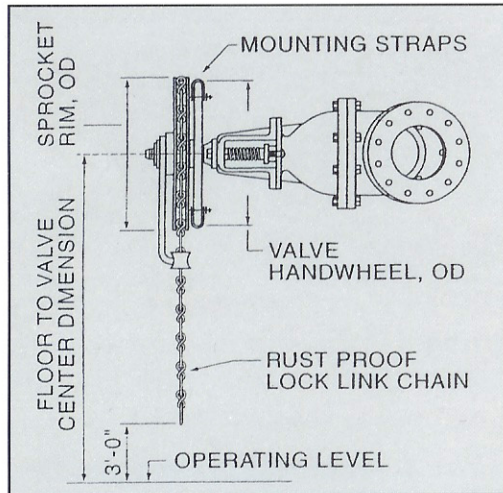
Valve Handwheel Outside Diameter Range, Outside In (Cm)	Chain Operator Number	Wheel Rim Outside Diameter In (Cm)	Uses Chain Trade Size	Weight (Lbs.)
2 to 4 (5.08-10.16)	0	4 (10.16)	2	2
4-1/4 to 5-3/4 (10.80-14.61)	1	5-3/4 (14.61)	1/0	4
6 to 7-1/2 (15.24-19.05)	1-1/2	7-1/2 (19.05)	1/0	5
7-3/4 to 9 (19.69-22.86)	2	9 (22.86)	1/0	10
9-1/4 to 12-1/2 (23.50-31.75)	2-1/2	12 (30.48)	4/0	15
12-3/4 to 15-1/2 (32.39-39.37)	3	15-1/2 (39.37)	4/0	18
15-3/4 to 19 (40.01-48.26)	3-1/2	18-1/2 (46.99)	4/0	28
19-1/4 to 22 (48.90-55.88)	4	21-1/2 (54.61)	5/0	37
22-1/2 to 26 (57.15-66.04)	4-1/2	25-3/4 (65.41)	5/0	47
26-1/4 to 30 (66.68-76.20)	5	30 (76.20)	5/0	58
30-1/4 to 36 (76.20-91.44)	5*	30 (76.20)	5/0	58

* Special attachment clamps for #5 wheel will accommodate up to 36" diameter valve handwheel.

CHAINWHEEL DIMENSIONS

WHEEL SIZE #	0	1	1-1/2	2	2-1/2	3	3-1/2	4	4-1/2	5
A-Overall Ht. In (Cm)*	4-5/8 (11.75)	6-3/8 (16.19)	7-3/4 (19.69)	10-1/2 (26.67)	12-1/2 (31.75)	15-1/2 (39.37)	18-1/2 (46.99)	21-1/2 (54.61)	25-3/4 (65.41)	30-1/4 (76.84)
B-Inner Bolt Circle	1-1/2 (3.81)	2-1/2 (6.35)	3-1/2 (8.89)	4-1/2 (11.43)	5-1/2 (13.97)	8-1/2 (21.59)	11-1/2 (29.21)	11-1/2 (29.21)	14-1/2 (36.83)	18-3/4 (47.63)
C-Outer Bolt Circle	1-7/8 (4.76)	3-1/2 (8.89)	5 (12.70)	6-5/8 (16.83)	9-1/4 (23.50)	12-3/8 (31.43)	15-1/2 (39.37)	17-3/4 (45.09)	21-1/4 (53.98)	25-1/4 (65.14)
D-Hub Opening (Dia)	1/2 (1.27)	7/8 (2.22)	1 (2.54)	2-1/8 (5.40)	2-1/8 (5.40)	2-1/8 (5.40)	3 (7.62)	3 (7.62)	3 (7.62)	3 (7.62)
E-Slot Size (Width)	1-5/16 (3.33)	3/8 (.95)	3/8 (.95)	3/8 (.95)	7/16 (1.11)	7/16 (1.11)	7/16 (1.11)	5/8 (1.59)	5/8 (1.59)	5/8 (1.59)
F-Rear Opening	3/4 (1.91)	1-1/2 (3.81)	1-7/8 (4.76)	3-1/8 (7.94)	3-1/2 (8.89)	3-1/2 (8.89)	4-7/8 (12.38)	4-7/8 (12.38)	4-5/8 (11.75)	4-3/4 (12.07)
G-Hub Depth (Shoulder to Rear)	1-1/8 (2.86)	1-1/2 (3.81)	1-7/16 (3.65)	1-3/8 (3.49)	1-3/4 (4.45)	1-7/8 (4.76)	1-7/8 (4.76)	1-7/8 (4.76)	1-7/8 (4.76)	2 (5.08)
H-Rim Thickness	7/8 (2.22)	1-1/8 (2.86)	1-1/8 (2.86)	1-1/8 (2.86)	1-1/4 (3.18)	1-1/4 (3.18)	1-1/4 (3.18)	1-1/2 (3.81)	1-1/2 (3.81)	1-1/2 (3.81)
I-Overall Depth	1-3/4 (4.45)	2-1/4 (5.72)	2-3/8 (6.03)	2-3/8 (6.03)	2-5/8 (6.67)	2-5/8 (6.67)	3-1/8 (7.94)	3-1/8 (7.94)	3-1/8 (7.94)	3-1/8 (7.94)

* All dimensions are in "Inches (CM)"



LENGTH OF CHAIN REQUIRED*

Chainwheel Size	Length in Feet*
#0	[(DROP FROM VALVE STEM MINUS 3 FT) X2] PLUS 1 FT
#1	[(DROP FROM VALVE STEM MINUS 3 FT) X2] PLUS 1 FT
#1-1/2	[(DROP FROM VALVE STEM MINUS 3 FT) X2] PLUS 2 FT
#2	[(DROP FROM VALVE STEM MINUS 3 FT) X2] PLUS 2 FT
#2-1/2	[(DROP FROM VALVE STEM MINUS 3 FT) X2] PLUS 2 FT
#3	[(DROP FROM VALVE STEM MINUS 3 FT) X2] PLUS 2 FT
#3-1/2	[(DROP FROM VALVE STEM MINUS 3 FT) X2] PLUS 3 FT
#4	[(DROP FROM VALVE STEM MINUS 3 FT) X2] PLUS 4 FT
#4-1/2	[(DROP FROM VALVE STEM MINUS 3 FT) X2] PLUS 4 FT
#5	[(DROP FROM VALVE STEM MINUS 3 FT) X2] PLUS 4 FT

* Chain 3 FT from floor

Typical Specifications:

Approved chainwheel operators shall be as manufactured by Babbitt Steam Specialty Co. and shall include chainwheel and chain guide for ___ inch diameter valve handwheel. Chainwheel shall be made of (cast iron/ductile iron/aluminum/bronze). Rim shall contain as an integral part of the casting a groove into which the chain guide attaches. Chain guides shall be made of (malleable iron/aluminum/bronze). Chainwheels shall be adjustable and detachable, furnished complete with (steel/stainless steel) attachment sets for attachment of chainwheel to valve handwheels. Units shall be coated with (black enamel, galvanized, "Teflon®", epoxy or _____) to meet manufacturer's specifications.

Operators shall also be furnished with ___ feet of rust-proof, lock-link, (hot dipped galvanized/spark-resistant brass/stainless steel) chain. Ductile iron units (shall be/shall not be) Babbitt "Hammer-blow" configuration. Chainwheel operators (shall be/shall not be) Safety Wheel configuration.

*Copyright© 1995-2007 DuPont. All Rights Reserved. The DuPont Oval Logo, DuPont™, The miracles of science™ and all products denoted with™ and © are trademarks or registered trademarks of DuPont or its affiliates.