

## Ordering Information

Dk-Lok tube fittings are ordered by the part number which is constructed as per SAE recommended practice.

### 1. Tube to Pipe ends



Example : DMC 4-4N-B  
Dk-Lok Male Connector.  
Tube O.D. 1/4 " x 1/4" Male NPT, Brass.

D
MC
4
-
4
N
-
B  
①
②
③
④
⑤
⑥

- ① Dk-Lok designated as "D"    ② Name of Fittings : See fitting type designator    ③ Tube O.D.: See tube O.D.designator
- ④ Pipe thread size : See pipe thread designator    ⑤ Pipe thread Symbols : See pipe thread symbol
- ⑥ Material : See fitting material designator

### 2. Tube to Tube ends

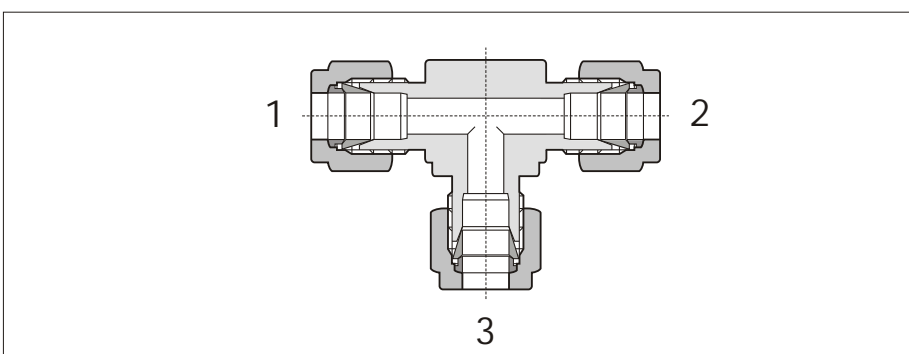


Example : DU-8-S  
Dk-Lok Union  
Tube O.D. 1/2 " material S316

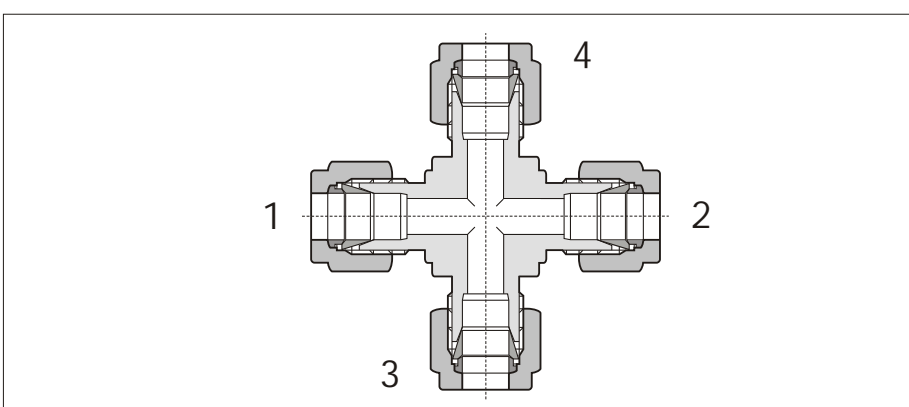
D
U
-
8
-
S  
①
②
③
⑥

### 3. Tee & Cross

Tees are described by first the run (1 and 2) and next the branch (3).



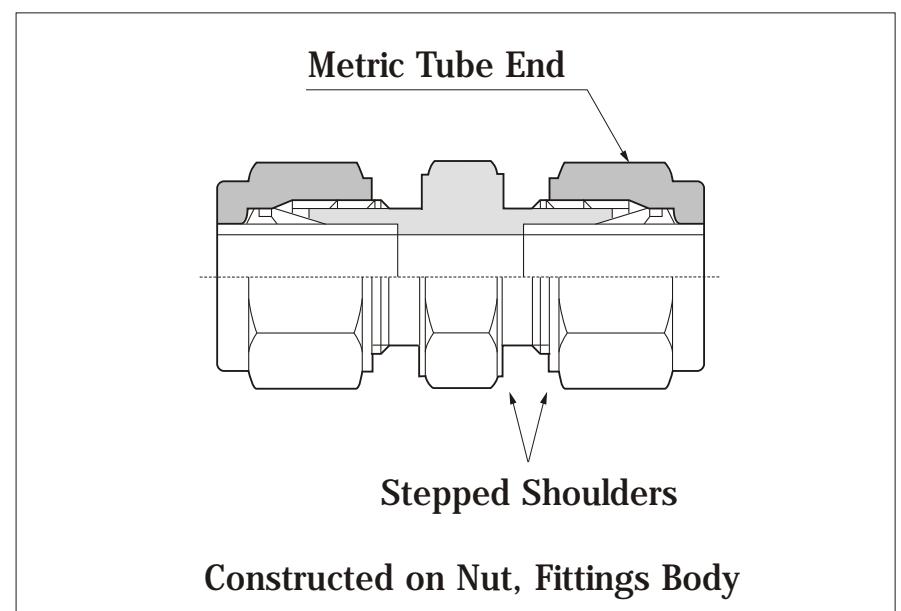
Crosses are described by first the run (1 and 2) and next the branch (3 and 4).



### Stepped Shoulder of Dk-Lok Metric Tube Fittings

Metric Dk-Lok is obviously different from Fractional with the stepped shoulders machined on Nut and fitting body.

### Metric DK-Lok Tube Fittings



## ② Fitting type Designator

Identifier	Description
DU	Union
DL	Union Elbow
DUR	Reducing Union
DT	Union Tee
DX	Union Cross
DUB	Bulkhead Union
DMCT	Thermocouple Connector
DMC-N	Male Connector
DMC-R	Male Connector
DMC-G	Male Connector for Bonded Seal
DOM	Male Connector for Metal Gasket
DMCB	Bulkhead Male Connector
DLBM	45° Male Elbow
DLM	Male Elbow
DTRM	Male Run Tee
DTBM	Male Branch Tee
DCF	Female Connector
DCG	Gauge Connector
DCBF	Bulkhead Female Connector
DLF	Female Elbow
DTRF	Female Run Tee
DTBF	Female Branch Tee
DR	Reducer
DAB	Bulkhead Adapter
DAM	Male Adapter

Identifier	Description
DAF	Female Adapter
DCP	Port Connector
DCRP	Reducing Port Connector
DUA	AN Union
DUBA	AN Bulkhead Union
DAA	AN Adapter
DMCS	SAE Male Connector
DLS	SAE Male Elbow
DLBS	45° Male Elbow
DTRS	SAE Male Run Tee
DTBS	SAE Male Branch Tee
DCOS	O-Seal Straight Thread Connector
DCOP	O-Seal Pipe Thread Connector
DCW	Male Pipe Weld Connector
DLW	Male Pipe Weld Elbow
DCSW	Tube Socket Weld Connector
DLSW	Tube Socket Weld Elbow
DP	Plug
DC	Cap
DI	Tube Insert
DN	Nut
DFF	Front Ferrule
DFB	Back Ferrule
DFS	Ferrule Set
DHS-1A	Dk-Lok Hydraulic Swaging Unit

## ③ Tube O.D. Designator

Inch O.D.	1/16	1/8	3/16	1/4	5/16	3/8	1/2	5/8	3/4	7/8	1	1-1/4	1-1/2	2
Identifier	1	2	3	4	5	6	8	10	12	14	16	20	24	32
Metric O.D.	2mm	3mm	4mm	6mm	8mm	10mm	12mm	16mm	20mm	22mm	25mm	28mm	32mm	38mm
Identifier	2M	3M	4M	6M	8M	10M	12M	16M	20M	22M	25M	28M	32M	38M

## ④ Pipe Thread Size Designator

Nom. Size	1/8"	1/4"	3/8"	1/2"	3/4"	1"	1-1/4"	1-1/2"	2"
Identifier	2	4	6	8	12	16	20	24	32

## ⑥ Fitting Material Designator

Material	SS 316	SS 316L	SS 304	C.Steel	Brass	Alloy400
Identifier	S	L	4	C	B	M

## ⑤ Pipe Thread Symbol

Type	Symbol	Specification
Taper Threads	R	ISO 7/1, BS21(BSPT), JIS B 0203(PT), DIN2999
	N	ANSI B1.20.1 (NPT)
Parallel Threads	G	ISO228/1, BS 2779(BSPP), JIS B0202(PF)
	U	American Standard Unified Screw Threads