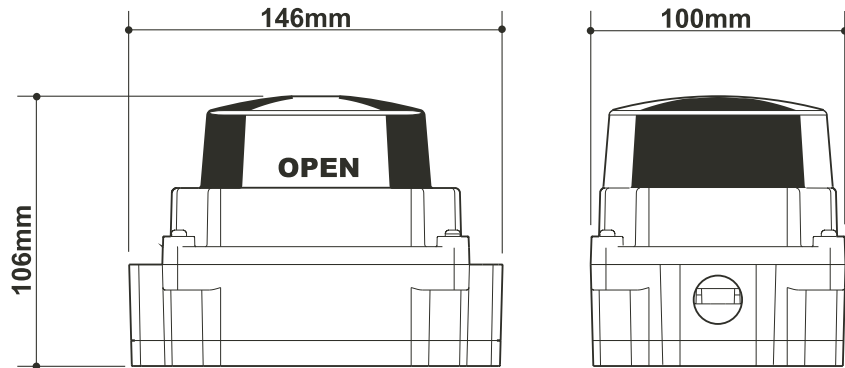


TWISTSET LIMIT SWITCH

Data sheets:



Housing:

Materials: Lid -Poly-Carbonate
 Body -ABS
 Shaft -Stainless Steel

Electrical Entries: 2 x 1/2" NPT
 Mounting: VDI/VDE3845 (NAMUR)
 Enclosure: IP67

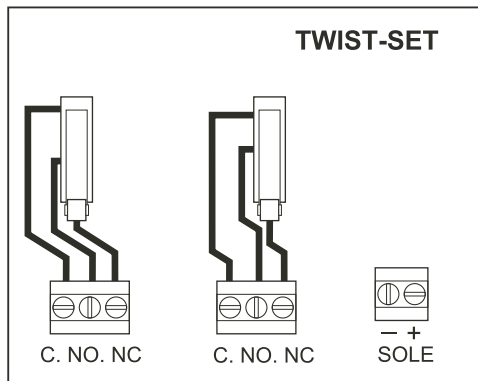
Switches:

Single Pole Double Throw
 Rating 250 Volts 10 Amps
 Temperature: -20 °C to 80 °C

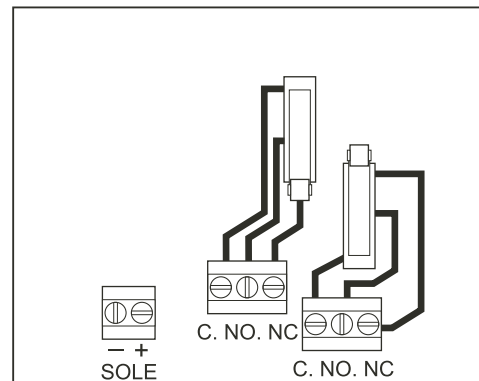
Model No:

TS-V3-2	2 Limit Switches with Solenoid Terminals
TS-V3-4	4 Limit Switches with Solenoid Terminals
TS-POT	1000 Ohm Potentiometer
TS-POT-2	1000 Ohm Potentiometer with 2 switches
TS-LINEAR	2 Switches set to any angle 0 to 90 Degrees

Wiring Diagram:



TS-V3-2



TS LINEAR



11363 Deerfield Road
 Cincinnati, Ohio 45242

Phone: 513-247-5465
 Fax: 513-247-5462