

ASCO's electrical connection devices are designed using the DIN 43650/ISO 4400 or DIN 46244 (Pg 9P) form standards consistent with our solenoid valve coil designs and permitting industry interchangeability. Each size is available for user wiring or factory prewired installations. Other options include 1/2" conduits, and LED/VDR models.

Features

- Glass fiber reinforced polyamide housing and lid.
- IP65 protection against moisture entry and washdown when properly installed with gaskets.
- LED: Light Emitting Diode. A solid-state diode that emits light to indicate power to the connector.
- VDR: Varistor absorbing the self-inductance of the coil. The VDR is there to protect the coil or controller against supply over-voltage or peak.
- Maximum voltage 240 Volts.



Size 11 mm, Form B

Part Number	Description	Orientation	Rotatable	Figure
88122403	1/2" conduit	Ground Down	180°	A
97500200	1/2" conduit with LED/VDR	Ground Down	180°	A
88122404*	PG 9 cable gland	Ground Down	180°	B
88122407	PG 9 cable gland with LED/VDR 120/AC-DC	Ground Down	180°	B
88122410	PG 9 cable gland with LED/VDR 240/AC-DC	Ground Down	180°	B
88122405	PG 9 cable gland with LED/VDR 24/AC-DC	Ground Down	180°	B
E1090-04-59**	4.5' leads with LED 120/AC-DC PVC	Ground Up	No	B
E1090-02-59**	4.5' leads with LED 24/AC-DC PVC	Ground Up	No	B
AP2004-02**	6' leads with stripped ends	Ground Down	180°	B

Available in 10 pack; part number 226061-001-

**Also available in 9', 16', and 33' lengths. Consult factory.

Figure A

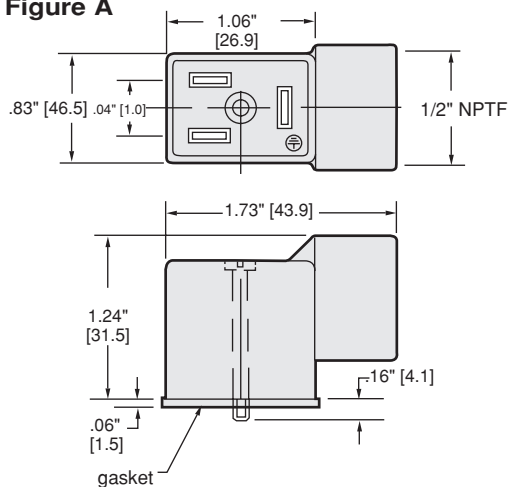
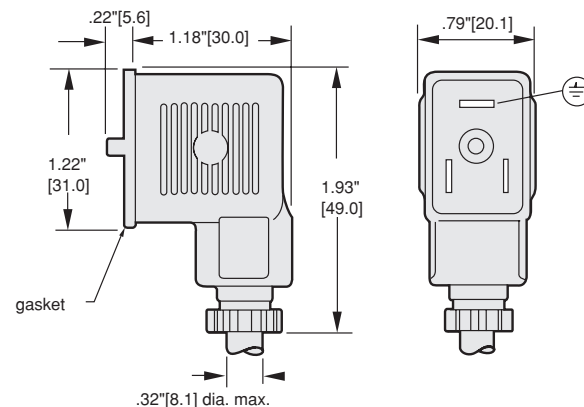


Figure B



Accessories

Electrical Connectors



Size 18 mm, Form A

Part Number	Description	Orientation	Rotatable	Figure
88122601	1/2" conduit	Ground Up	90°	C
97500015	1/2" conduit with LED	Ground Up	90°	C
88122602*	PG 11 cable gland	Ground Up	90°	D
88122605	PG 11 cable gland with LED/VDR 120/AC-DC	Ground Up	90°	D
88122608	PG 11 cable gland with LED/VDR 240/AC-DC	Ground Up	90°	D
88122603	PG 11 cable gland with LED/VDR 24/AC-DC	Ground Up	90°	D
88122604	PG 11 cable gland with LED/VDR 48/AC-DC	Ground Up	90°	D
E1089-04-59**	4.5' leads with LED 120/AC-DC PVC	Ground Up	No	D
E1089-06-59**	4.5' leads with LED 240/AC-DC PVC	Ground Up	No	D
E1089-02-59**	4.5' leads with LED 24/AC-DC PVC	Ground Up	No	D
272852	6' leads with North American outlet plug	Ground Up	No	D
272852-003	6' leads with North American outlet plug (rotated 90 degrees)	Ground Up	No	D
AP2003-03**	6' leads with stripped ends	Ground Up	No	D

*Available in 50 pack; part number 266615.

**Also available in 9', 16', and 33' lengths. Consult factory.

Figure C

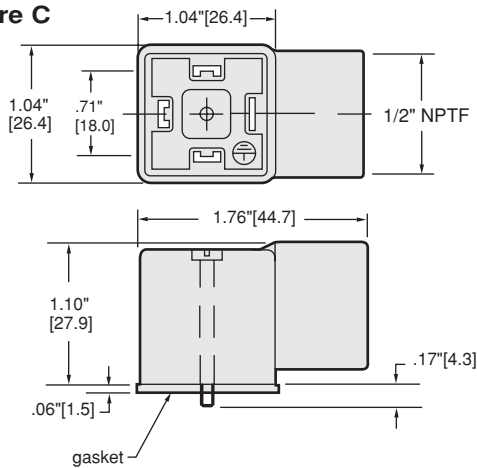
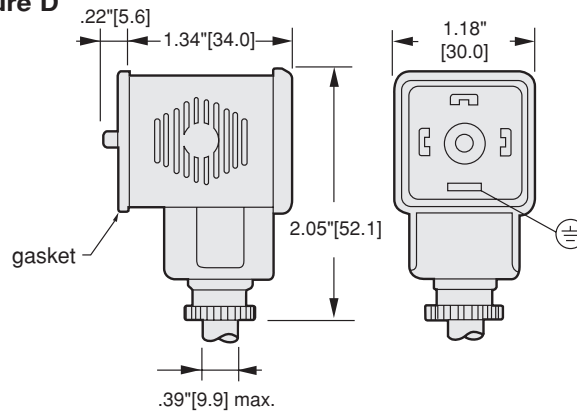


Figure D



Size 9.4 mm, Form C

Part Number	Description	Orientation	Rotatable
88143581	PG 7 cable gland	Ground Up	180°
AP2002-01	PG 7 cable gland LED/VDR 120-240/AC 50/60	Ground Up	180°
AP2002-05	PG 7 cable gland LED/VDR 48-120/AC 50/60	Ground Up	180°
AP2002-03	PG 7 cable gland LED/VDR 48-120/DC	Ground Up	180°
97500024	PG 7 cable gland LED/VDR 6-48/AC-DC	Ground Up	180°
E1091-04-59**	4.5' leads with LED 120/AC-DC PVC	Ground Up	No
E1091-02-59**	4.5' leads with LED 24/AC-DC PVC	Ground Up	No
88143567**	6' leads	Ground Up	No

**Also available in 9', 16', and 33' lengths. Consult factory.

