



# General Purpose/Panel Mount Pilot Valves

Direct Lift  
Brass or Plastic Bodies  
1/8" to 1/4" NPT

**2/2**  
**SERIES**  
**Dust**  
**Collector**

## Features

- Designed to pilot large dust collector pulse valves
- For individual installation or mounting in panel enclosure
- Brass bodied valve has threaded exhaust port for optional muffler installation, and screw or leaded terminals
- Plastic body valve designed for plastic or metallic tubing, has spade terminals
- All with bubble-tight seals
- Zero minimum pressure

## Construction

Valve Parts in Contact with Fluids	
Body	Brass or PA, as listed
Seals and Discs	NBR
Core Tube	305 Stainless Steel
Core and Plugnut	430F Stainless Steel
Shading Coil	Copper
Springs	302 Stainless Steel

## Electrical

Standard Coil and Class of Insulation	Watt Rating and Power Consumption AC			Spare Coil Part No. AC	
	Watts	VA Holding	VA Inrush	General Purpose	Explosionproof
F	6	15.6	27.5	99216 (spade)	-
F	6	15.6	27.5	125472 (screw)	-
F	6.1	16	30	238210	238214
B	24.9	34.8	43.2	174879 ①	-

**Standard Voltages:** 24, 120, 240, 480 volts AC, 60 Hz (or 110, 220 volts AC, 50 Hz). Consult factory for DC voltage. Other voltages are available when required.

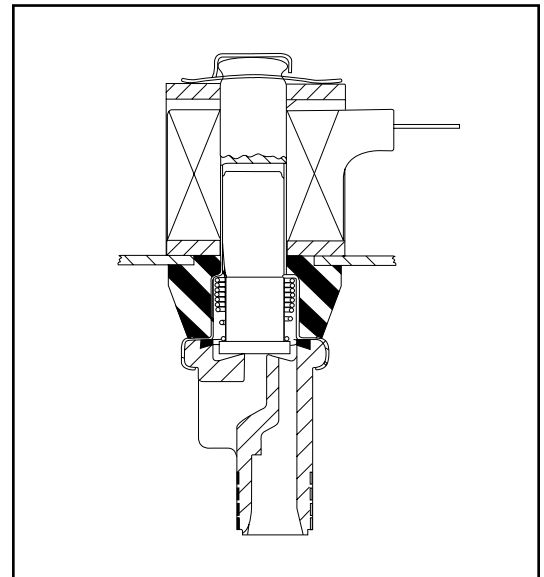
**Note:** ① Maximum voltage 120/60. Higher voltages use Class F Coil, 186548.

## Solenoid Enclosures

**Standard:** RedHat II - Watertight, Types 1, 2, 3, 3S, 4, and 4X; RedHat - Open Frame.

**Optional:** RedHat II - Explosionproof and Watertight, Types 3, 4, 4X, 6, 6P, 7, and 9. (To order, add prefix "EF" to catalog number.)

See *Optional Features Section* for other available options.



## Nominal Ambient Temp. Ranges

**Ambient:** AC constructions: 32°F to 125°F (0°C to 52°C)

**Fluids:** 32°F to 180°F (0°C to 82°C)

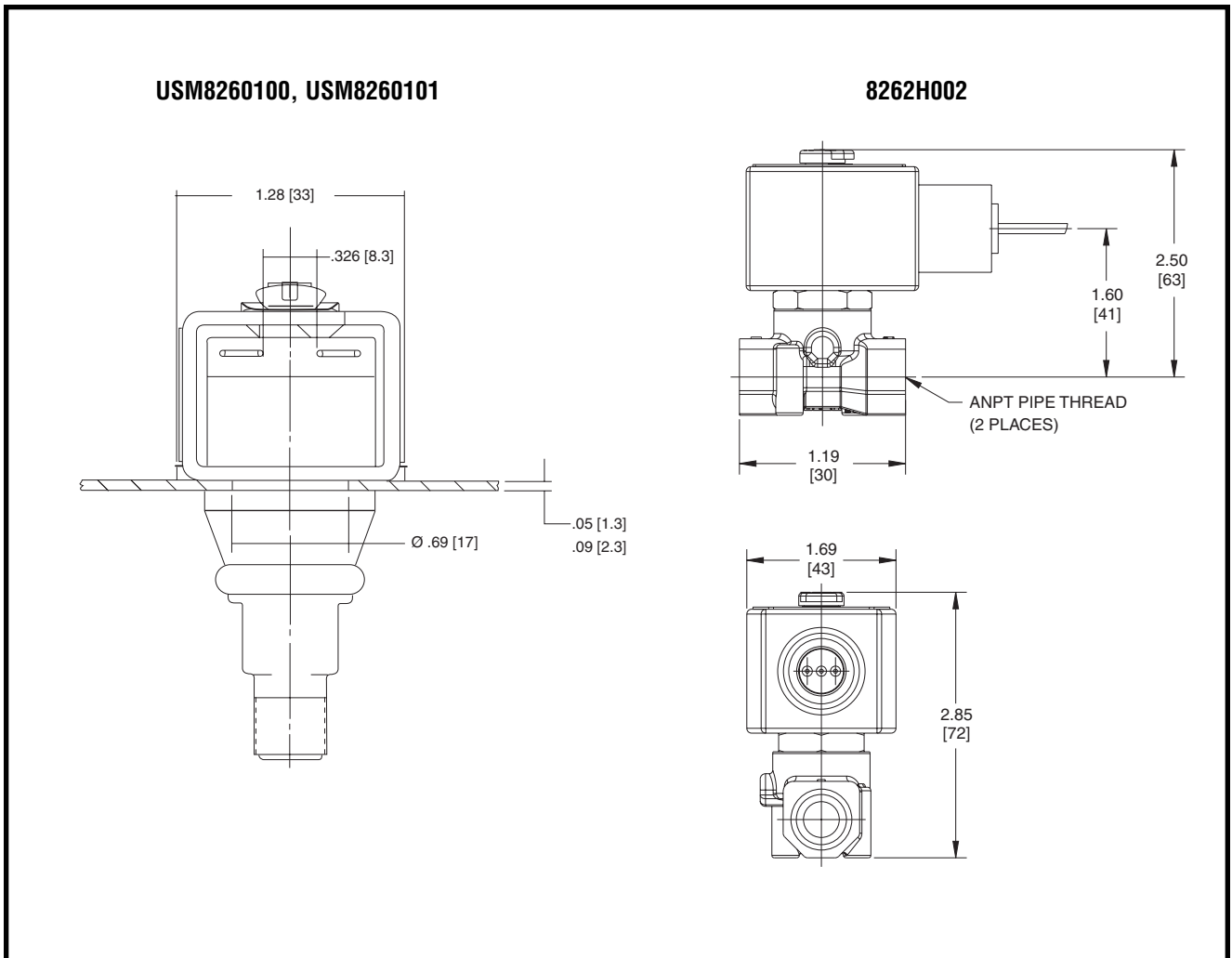
SPECIAL SERVICE VALVES

**Specifications (English, Metric units)**

Pipe Size (ins.)	Orifice Size (ins.)	Cv Flow Factor	Kv Flow Factor (m3/h)	Max. Operating Pressure Differential (psi)	Max. Operating Pressure Differential (bar)	RedHat II Catalog Number	RedHat Panel Mount Solenoids with Spade Terminal Coils Standard	RedHat Panel Mount Solenoids with Screw Terminal Coils Standard	Watt Rating/Class of Coil Insulation
							Catalog Number	Catalog Number	
<b>NORMALLY CLOSED (Closed when de-energized), Brass Body - AC Only</b>									
1/8	1/8	.34	.29	155	10.7	8262H002	-	-	6.1/F
1/8	1/8	.34	.29	155	10.7	-	PSF8262C002 ④	-	6/F
1/8	1/8	.34	.29	150	10.3	-	-	PSFX8262C002-17523 ③④	6/F
<b>NORMALLY CLOSED (Closed when de-energized), PA Body - AC Only</b>									
1/4 O.D. Comp. ②	1/8	.30	.26	125	8.6	-	USM8260100 ①	-	24.9/B
1/8 External NPT	1/8	.30	.26	125	8.6	-	USM8260101 ①	-	24.9/B

① Spade terminal coils are standard; leaded coils are optional. Solenoid will withstand a total energized time of 12 seconds within any 60 second period.  
 ② Fittings not supplied with valve. To order, refer to List Price Schedule.  
 ③ Gasketed panel mount pilot valve used in pilot valve enclosure HV125468, -69, and -70.  
 ④ For dimensional drawing contact local sales office.

**Dimensions inches (mm)**



**SPECIAL SERVICE VALVES**