



Electric

Automated Ball Valve Package

Series 30 3-Way Ball Valve

Full Port Valve

RTFE Seats Standard

Class 150

1-1/2" – 12"

316SS or CS Body

316SS Ball & Stem

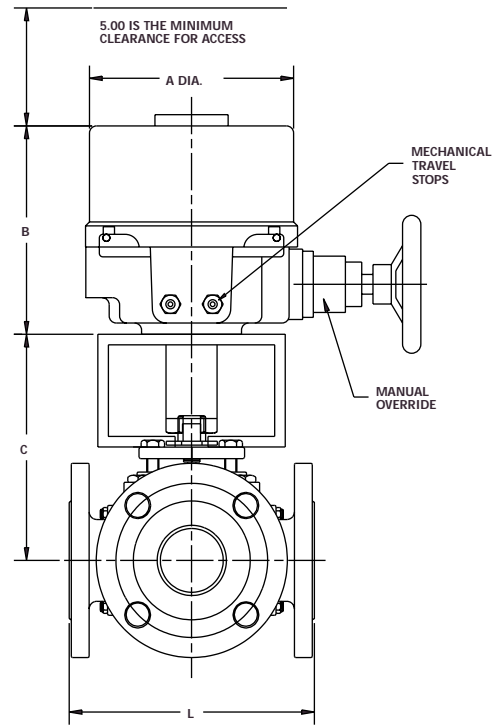
Flanged Ends

"T" Port or "L" Port

For 10" and 12", call factory



Flanged 3 Way

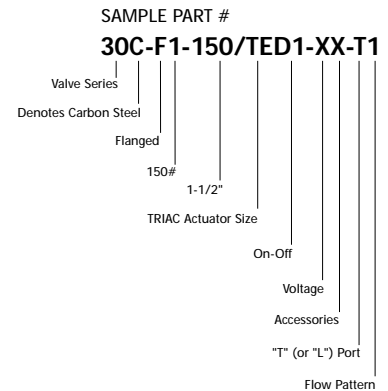


VALVE SIZE	A	B	C	L	VALVE Cv "T"	VALVE Cv "L"
1-1/2"	7.25	7.95	5.70	7.09	198	50
2"	7.25	7.95	6.00	8.66	315	120
2-1/2"	8.65	10.10	6.45	11.00	643	158
3"	8.65	10.10	6.83	11.22	1170	275
4"	8.65	10.10	7.42	13.66	1930	422

SERIES 30 3 Way

ON-OFF	
SIZE	MODEL
1-1/2"	30-F1-150/TED1-XX-T
2"	30-F1-200/TEE1-XX-T
2-1/2"	30-F1-250/TEF1-XX-T
3"	30-F1-300/TEH1-XX-T
4"	30-F1-400/TEJ1-XX-T
6"	CF
8"	CF

MODULATING	
SIZE	MODEL
1-1/2"	30-F1-150/TED2-XX-T
2"	30-F1-200/TEE2-XX-T
2-1/2"	30-F1-250/TEF2-XX-T
3"	30-F1-300/TEH2-XX-T
4"	30-F1-400/TEJ2-XX-T
6"	CF
8"	CF

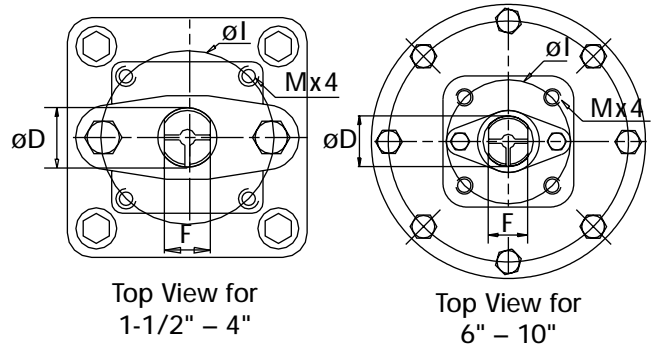


Other options available - call for details
 Specify flow pattern when ordering (see back)
 Actuators are sized based on clean/clear fluid at full rated pressure of valves.
 See part # matrix for complete model #



Series 30

Three-Way Ball Valve Full Port, L or T Option Series 30 (Class 150)



Top View for
1-1/2" - 4"

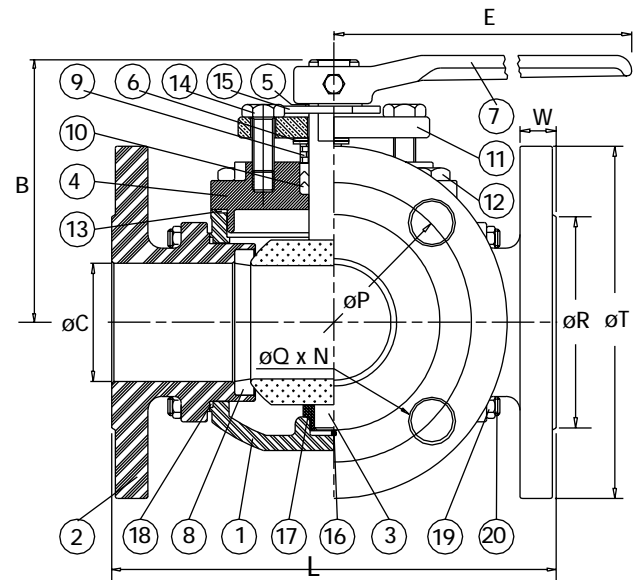
Top View for
6" - 10"

MATERIALS LIST

NO.	PART NAME	QTY.	MATERIAL	
			Stainless Steel	Carbon Steel
1	Body	1	CF8M	WCB
2	Flange Cap	3	CF8M	WCB
3	Ball & Stem	1	SS316	SS304
4	Top Cover	1	CF8M	WCB
5	C Retainer Ring	1	SS301	SS301
6	Belleville Washer	2	SS301	50CrV
7	Handle	1	Cast Iron	Cast Iron
8	Ball Seat	3	RPTFE	RPTFE
9	Gland	1	SS304	SS304
10	V-Ring Packing	3	PTFE	PTFE
11	Bonnet Cap	1	CF8M	CF8M
12	Cover Bolt	*	ASTM A193 GR. B8	S45C
13	Cover Joint Gasket	1	PTFE	PTFE
14	Bonnet Cap Bolt	2	ASTM A193 GR. B8	S45C
15	Stopper	1	SS304	SS304
16	Spring	1	SS304	SS304
17	Bushing	1	§	§
18	Cap Joint Gasket	3	PTFE	PTFE
19	Nut	‡	SS304	S45C
20	Stud	‡	SS304	S45C

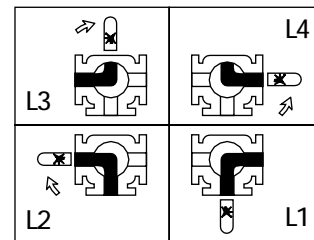
§ 50% stainless steel powder filled PTFE
 * For 1-1/2" to 4" - 4 pcs.; For 6" to 10" - 8 pcs.
 ‡ For 1-1/2" to 4" - 12 pcs.; For 6" to 10" - 24 pcs.

NOTE: Materials designated in the material list are our standard materials. Other options are available for higher pressure and temperature rating

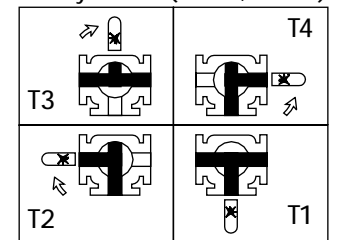


FLOW PATTERNS

3-Way L-Port (30-1L, 30-2L)



3-Way T-Port (30-1T, 30-2T)



DIMENSION (IN)

SIZE	B	C	D	E	F	I	L	M	N	P	Q	R	T	W	*W
1-1/2"	4.41	1.57	0.86	11.50	0.669	2.756	7.09	M10	4	3.87	0.63	2.87	5.00	0.56	0.81
2"	4.72	2.01	0.86	11.50	0.669	2.756	8.66	M10	4	4.75	0.79	3.62	5.98	0.63	0.88
2-1/2"	5.98	2.56	1.16	15.16	0.669	4.016	11.02	M12	4	5.50	0.91	4.80	7.01	0.69	1.00
3"	6.69	2.99	1.16	15.16	0.669	4.016	11.22	M12	4	6.00	0.91	5.00	7.52	0.75	1.13
4"	8.03	4.02	1.34	20.87	0.906	4.921	13.66	M12	8	7.50	0.91	6.18	9.02	0.94	1.25
6"	10.04	5.98	1.75	31.50	1.378	4.291	16.93	M12	8	9.50	0.91	8.50	10.98	1.00	1.46
8"	11.54	7.95	2.36	39.37	1.772	4.291	21.26	M12	8	11.75	1.02	10.63	13.50	1.14	1.63
10"	12.99	9.84	2.36	39.37	1.772	5.512	27.56	M16	12	14.25	1.14	12.76	15.98	1.20	1.89



Division of A-T Controls
 11363 Deerfield Rd.
 Cincinnati, Ohio 45242
 (513) 247-5465
 FAX (513) 247-5462
 e-mail: sales@a-tcontrols.com