



Electric

Automated Ball Valve Package

Series 38 3-Way Ball Valve

Reduced Port Valve

1000 psi wog

1/4" – 2"

316 SS Body, Ball & Stem

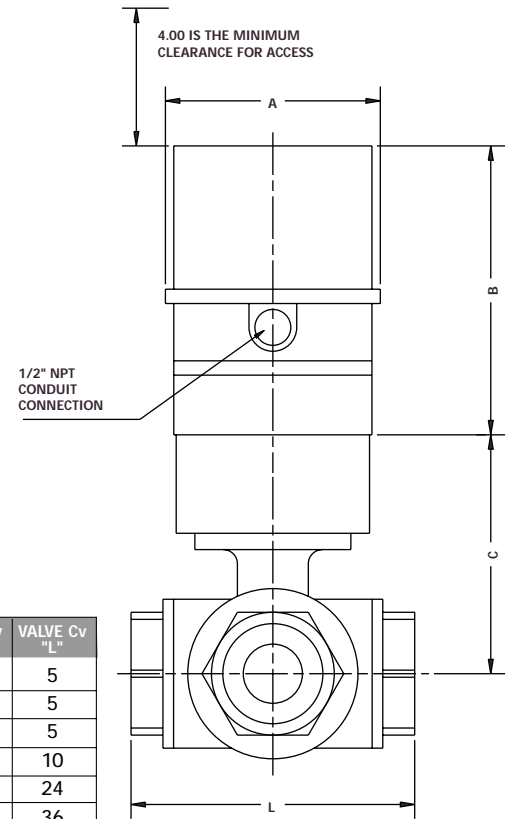
Threaded Ends

"T" Port or "L" Port

(4) Seat Design



Threaded 3 Way

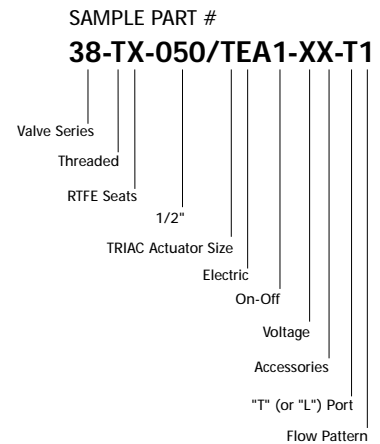


VALVE SIZE	A	B	C	L	VALVE Cv "T"	VALVE Cv "L"
1/4"	4.15	4.50	2.56	2.68	7	5
3/8"	4.15	4.50	2.56	2.68	7	5
1/2"	4.15	4.50	2.75	2.95	10	5
3/4"	4.15	4.50	2.75	3.39	27	10
1"	4.15	4.50	3.13	4.06	48	24
1-1/4"	4.15	6.05	3.38	4.53	70	36
1-1/2"	7.25	7.95	3.69	4.92	98	55
2"	7.25	7.95	4.00	5.75	198	80

SERIES 38 3 Way

ON-OFF	
SIZE	MODEL
1/4"	38-TX-025/TEA1-XX-T
3/8"	38-TX-038/TEA1-XX-T
1/2"	38-TX-050/TEB1-XX-T
3/4"	38-TX-075/TEB1-XX-T
1"	38-TX-100/TEB1-XX-T
1-1/4"	38-TX-125/TEC1-XX-T
1-1/2"	38-TX-150/TED1-XX-T
2"	38-TX-200/TED1-XX-T

MODULATING	
SIZE	MODEL
1/4"	38-TX-025/TEB2-XX-T
3/8"	38-TX-038/TEB2-XX-T
1/2"	38-TX-050/TEB2-XX-T
3/4"	38-TX-075/TEB2-XX-T
1"	38-TX-100/TEB2-XX-T
1-1/4"	38-TX-125/TEC2-XX-T
1-1/2"	38-TX-150/TED2-XX-T
2"	38-TX-200/TED2-XX-T



OPTIONS	
DESCRIPTION	DESCRIPTION
24 VAC/24 VDC/220VAC	Heater and thermostats
Feedback potentiometer	

Other options available - call for details

Actuators are sized based on clean/clear fluid at full rated pressure of valves.

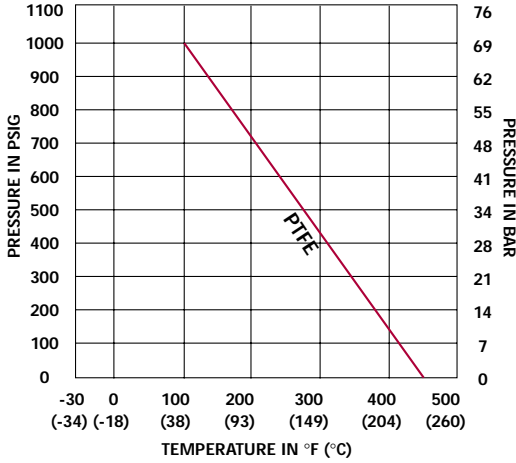


Series 38

Three-Way Threaded Ball Valve Reduced Port, L or T Option

1000 psi wog
1/4" to 2"

Pressure vs. Temperature Chart
for Valve 1/4" to 2"



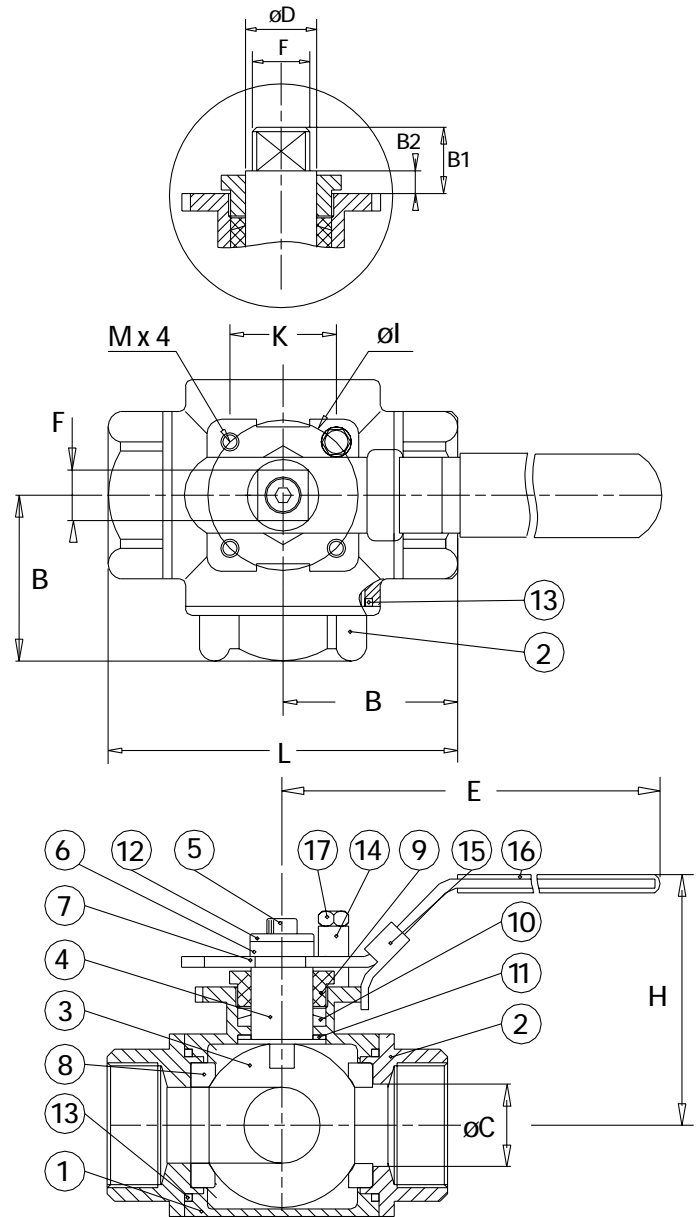
MATERIALS LIST

NO.	PART NAME	MATERIAL	QTY.
1	Body	ASTM 351 Gr. CF8M	1
2	End Cap	ASTM 351 Gr. CF8M	3
3	Ball	SUS 316	1
4	Stem	SUS 316	1
5	Stem Nut	SUS 304	1
6	Stem Spacer	SUS 304	1
7	Handle	SUS 304	1
8	Seat	PTFE	4
9	Gland Nut	SUS 304	1
10	Stem Packing	RPTFE	2
11	Thrust Washer	RPTFE	1
12	Stem Disc	SUS 304	1
13	Joint Gasket	RPTFE	3
14	Cylindrical Spacer	SUS 304	2
15	Locking Device	SUS 304	1
16	Handle Sleeve	Vinyl	1
17	Stop Bolt	SUS 304	1

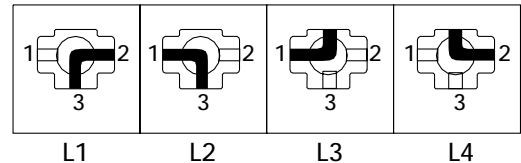
DIMENSION (IN)

SIZE	B	B1	B2	C	D	E	F	H	I	K	L	M	ISO5211	LBS
1/4"	1.34	0.43	0.24	0.43	0.47	4.17	0.354	2.28	1.654	1.17	2.68	M5	F04	1.3
3/8"	1.34	0.43	0.24	0.43	0.47	4.17	0.354	2.28	1.654	1.17	2.68	M5	F04	1.3
1/2"	1.48	0.43	0.24	0.50	0.47	5.43	0.354	2.40	1.654	1.17	2.95	M5	F04	1.5
3/4"	1.69	0.51	0.24	0.63	0.59	5.43	0.433	2.91	1.969	1.39	3.39	M6	F05	2.4
1"	2.03	0.75	0.30	0.79	0.59	6.38	0.433	3.19	1.969	1.39	4.06	M6	F05	3.9
1-1/4"	2.26	0.91	0.30	0.98	0.59	6.38	0.433	3.46	1.969	1.39	4.53	M6	F05	5.3
1-1/2"	2.46	0.93	0.33	1.26	0.59	8.66	0.433	4.09	2.756	1.95	4.92	M8	F07	7.5
2"	2.87	0.96	0.33	1.50	0.73	8.66	0.551	4.33	2.756	1.95	5.75	M8	F07	12.0

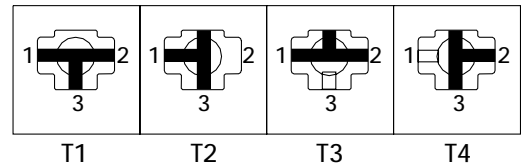
STEM VIEW



Flow Patterns for L-Port (38-1L)



Flow Patterns for T-Port (38-1T)



Division of A-T Controls
11363 Deerfield Rd.
Cincinnati, Ohio 45242
(513) 247-5465
FAX (513) 247-5462
e-mail: sales@a-tcontrols.com