



Electric

Automated Ball Valve Package

Series 88
3-Piece Ball Valve

Direct Mount

Full Port Valve

1500 & 2000 psi

1/2"-2"

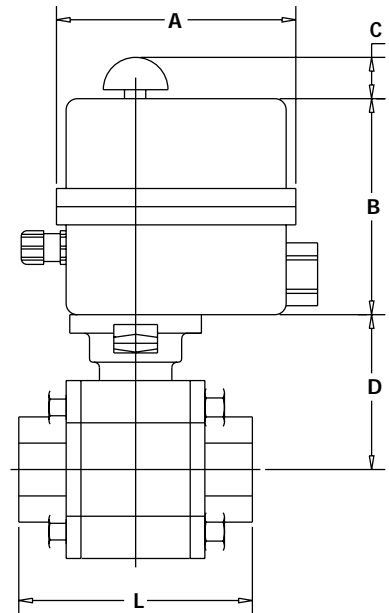
316SS Body, Ball & Stem

Bellville Washers, Double Chevron Packing, RTFE Seats

Threaded, SW or BW



Direct Mount

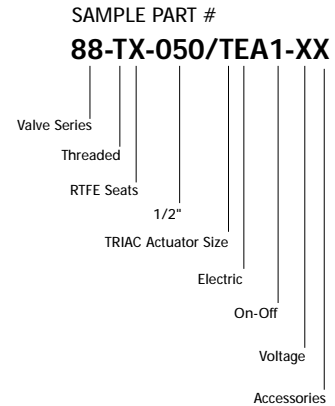


SERIES 88 Direct Mount

VALVE SIZE	A	B	C	D	L	VALVE Cv
1/2"	5.32	4.85	0.95	1.54	2.85	12
3/4"	5.32	4.85	0.95	1.70	3.36	32
1"	5.32	4.85	0.95	2.32	4.14	56
1-1/4"	5.32	4.85	0.95	2.46	4.35	85
1-1/2"	5.32	4.85	0.95	2.80	4.97	125
2"	5.32	4.85	0.95	3.43	5.61	240

ON-OFF	
SIZE	MODEL
1/2"	88-TX-050/TEA1-XX
3/4"	88-TX-075/TEB1-XX
1"	88-TX-100/TEB1-XX
1-1/4"	88-TX-125/TEB1-XX
1-1/2"	88-TX-150/TEC1-XX
2"	88-TX-200/TEC1-XX

MODULATING	
SIZE	MODEL
1/2"	88-TX-050/TEA2-XX
3/4"	88-TX-075/TEB2-XX
1"	88-TX-100/TEB2-XX
1-1/4"	88-TX-125/TEB2-XX
1-1/2"	88-TX-150/TEC2-XX
2"	88-TX-200/TEC2-XX



OPTIONS

DESCRIPTION	
24 VAC/24 VDC/220VAC	Heater and thermostat
Feedback potentiometer	

Other options available - call for details

Actuators are sized based on clean/clear fluid at full rated pressure of valves.



